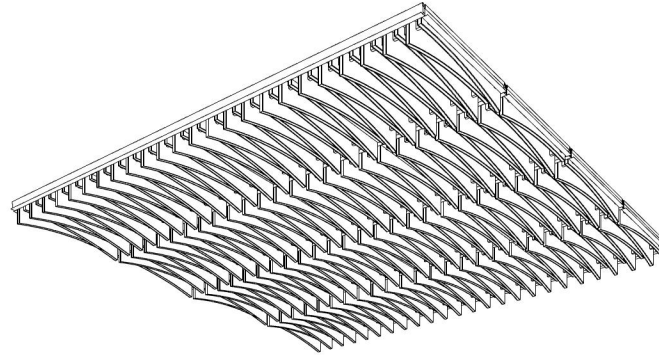
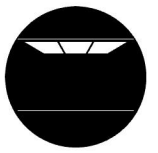
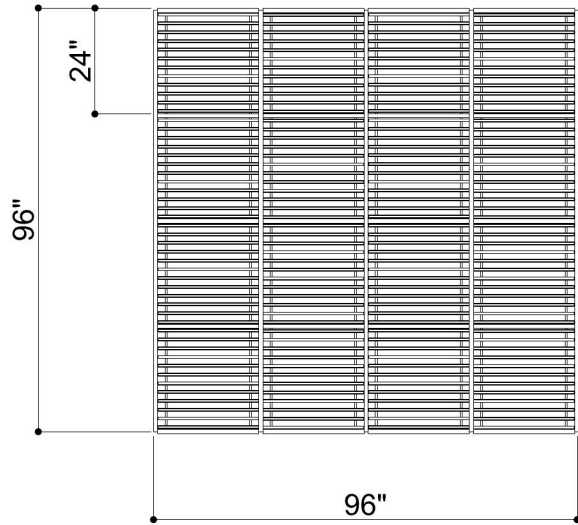


GRID BLADE 010

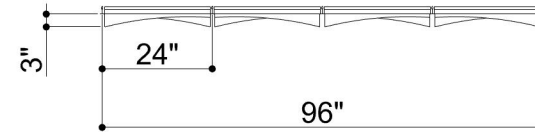
ID# GRD-BLD-010



③ PERSPECTIVE VIEW



① BOTTOM FACE



② SIDE VIEW

CUSTOM SIZING AND THICKNESS AVAILABLE
CUSTOM COLORS AND DESIGNS AVAILABLE
MULTIPLE ATTACHMENT SYSTEM OPPORTUNITIES



CSI CREATIVE

PRODUCT: GRID BLADE 010

SCALED AS NOTED

ALL DIMENSIONS + / - $\frac{1}{16}$

DATE: 3/31/2022
JOB # :

SHEET
1.1
OF 1.1