

# CLOUDS

CONNECT CLOUDS 001  
CLD-CON-001



PRODUCT GUIDE





**WOOL FELT**

100% organic premium design felt.



**POWERFUL ACOUSTICS**

High Noise Reduction Coefficient.



**FIRE-SAFE**

ASTM E84: Class A tested and compliant.



**VOC FREE**

CDPH Standard Method V1.2 School Classroom and Private Office Compliant.



**CUSTOM SIZING**

Custom-sized products arrive installation ready.



**SUSTAINABILITY**

100% organic wool is harvested without animal harm.



**LOW MAINTENANCE**

A light dusting is all you'll ever need.



**TACTILE EXPERIENCE**

Soft, plush felt delivers unbeatable touch experience.

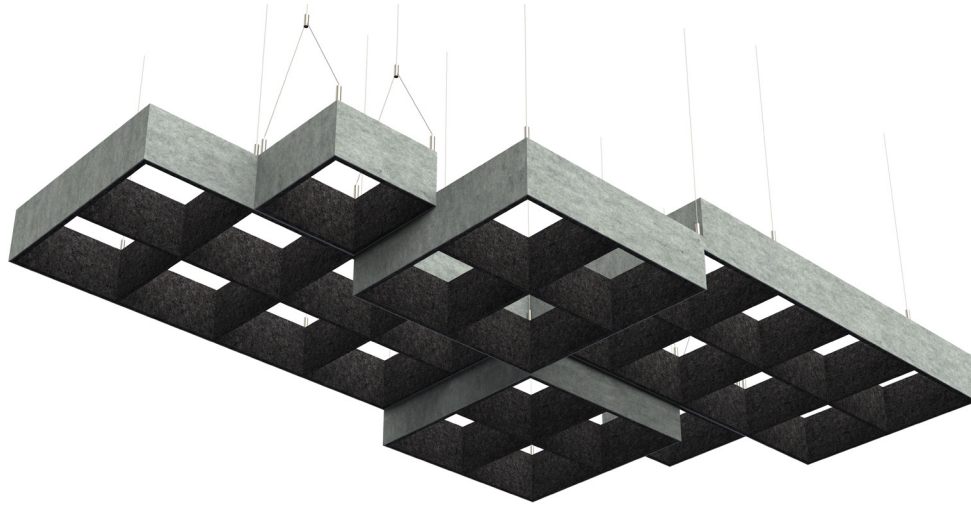


**LEAD TIME**

2-4 weeks with vast color options.



# SPECIFICATIONS



<b>PRODUCT ID</b>	CLD-CON-001
<b>CONTENT</b>	PoshFelt® 100% organic wool design felt
<b>DURABILITY</b>	Impact resistant, shock absorbant
<b>WEATHERING</b>	Non-deteriorating, non-hygroscopic, colorfast
<b>MAINTENANCE</b>	Clean with vacuum or light dusting
<b>WARRANTY</b>	Comes with industry-leading standard warranty
<b>ENVIRONMENTAL</b>	100% biodegradable/compostable, contains no formaldehyde, 100% VOC free, no chemical irritants, and free of harmful substances
<b>INSTALLATION</b>	CSI Installation Systems are product specific (see Installation page)
<b>ACOUSTICS</b>	0.85 NRC
<b>FLAMMABILITY</b>	ASTM E84: Class A

# TECHNICAL

## LENGTH

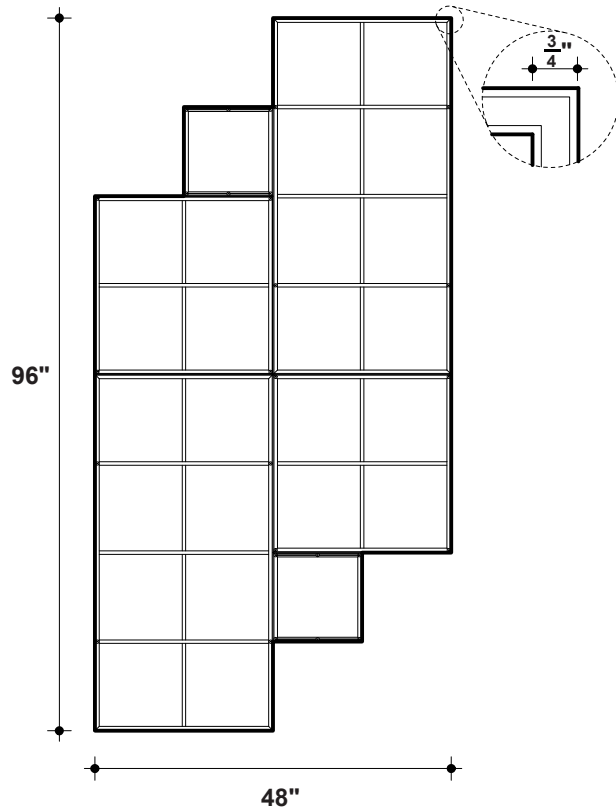
96"  
*custom lengths available*

## WIDTH

48"  
*custom widths available*

## HEIGHT

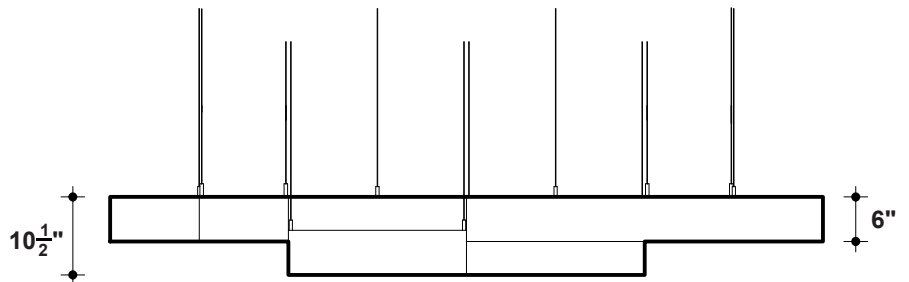
10-1/2"  
*custom heights available*



① TOP VIEW

## MATERIAL THICKNESS

5/8" or 3/4"  
*custom thicknesses available*



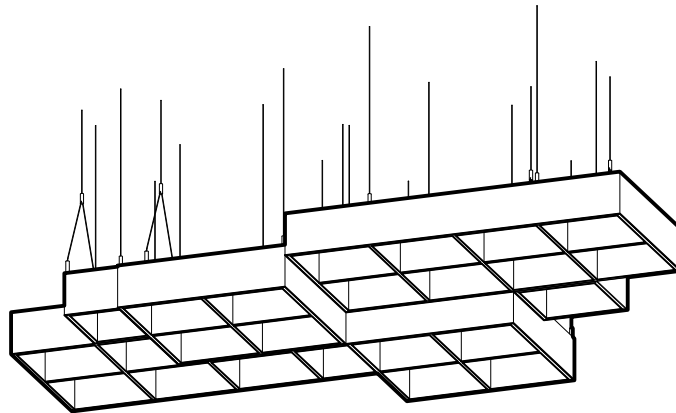
② FRONT VIEW

## SPACING

varies  
*custom spacing available*

## EDGE

Exposed or covered



③ PERSPECTIVE VIEW



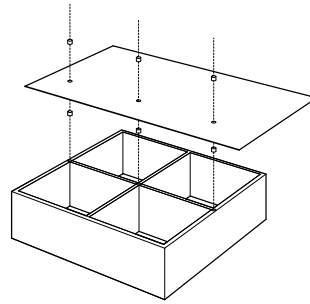
# INSTALLATION

Cloud installation systems are designed according to site conditions, and maximize efficiency of installation.

Each solution respects the integrity of the project design, budget, and installs easily with simple tools.

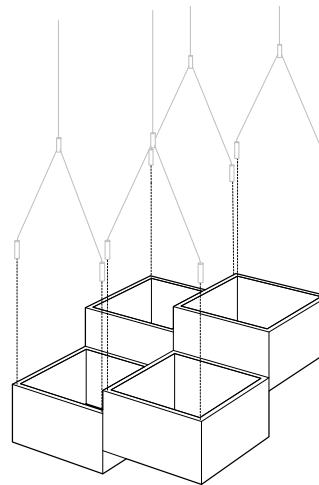
## DIRECT ATTACHMENT SYSTEM

Attachment solution for pre-constructed ceiling substrates with low-height limitations. Requires minimal skilled installation labor. Ideal for remodeling spaces.



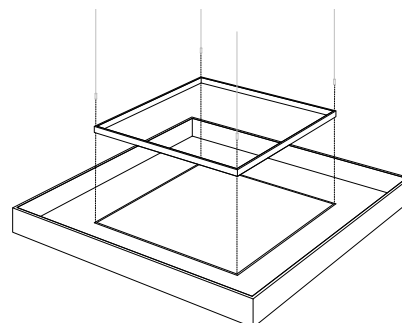
## INDIVIDUAL SUSPENSION SYSTEM

Attachment solution for enhanced design through suspension. Allows for optimal configuration and flow. Easily installed in post-construction phase.



## MODULAR RAIL SYSTEM

Rail-constructed attachments offer stronger structural support and secure attachment points for acoustic clouds that require it.

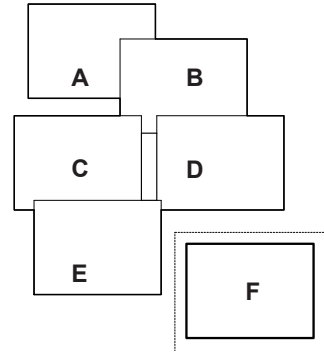


# SITE CONDITIONS

## MODULAR SYSTEM CONFIGURATION

Modular systems can be configured to fit site conditions when considered during the design phase.

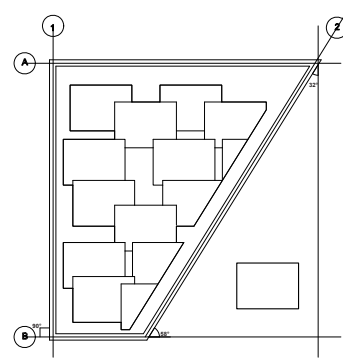
Optimized configurations save on material costs, provide a hassle-free installation, and reduce labor costs.



## CUSTOMIZED FABRICATION PER SITE CONDITION

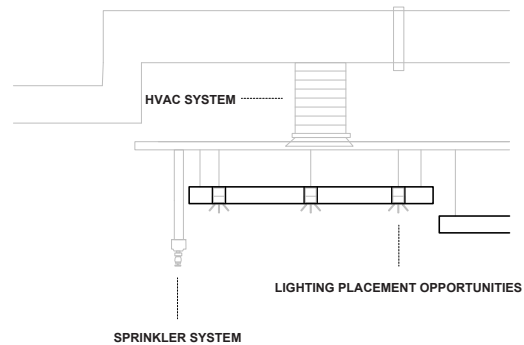
When engaged in the design phase, we fabricate custom cloud modules fitted to the shape of your space.

This reduces the need for on-site cutting by installation crews, saving money in material and labor.



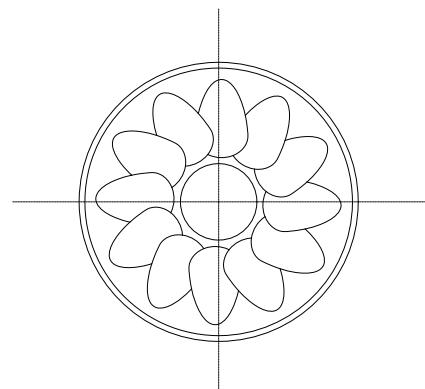
## MEP INTEGRATION

The modular rail system allows for easy mechanical, electrical and plumbing integration. During design development, we coordinate with your team of MEP consultants to uphold your construction schedule.



## RADIAL SITE CONFIGURATION

Product configuration can be customized beyond our listed offering to respect design intent and functional integration.





# COLORWAYS

POSHFELT® 100% ORGANIC WOOL DESIGN FELT





## BASE LAYER RECYCLED PET ACOUSTIC FELT





# SUSTAINABILITY



## WHY WOOL?

Wool has a strong track record. As in, thousands of years strong. The first instances of wool as a textile date back to 1500 BC, and for great reason: wool is a renewable source of workable fiber, harvested without any harm to the animal.

Wool is cleaned and refined into a more cooperative felt product with an array of natural features, including wrinkle resistance, anti-static, high burning point, insulative properties, shock resistance—the list goes on.

## MATERIAL CONSTRUCTION

100% organic Merino or Karakul Wool

## PRODUCT CERTIFICATIONS

ASTM E84: Class A, VOC Free (CDPH Standard Method V1.2)



# OUR MISSION

---

## EXPERIENTIAL SPACES

Our goal is to create spaces that feel better.

It's easy to visualize a space with architectural acoustics, but even the most detailed renderings couldn't convey the experience of actually being there. When sound is properly controlled within a space, it creates focus and calmness that you can actually feel. We want to help you turn off the droning machinery in the back of your mind. We fabricate custom solutions that visually suit your space while building towards a more soothing holistic experience. This creates spaces where people want to be—where they want to work, where they want to sleep, exercise, create, study, and relax.

